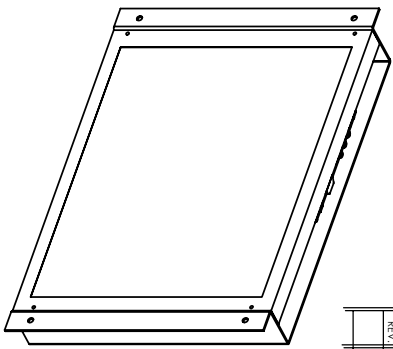
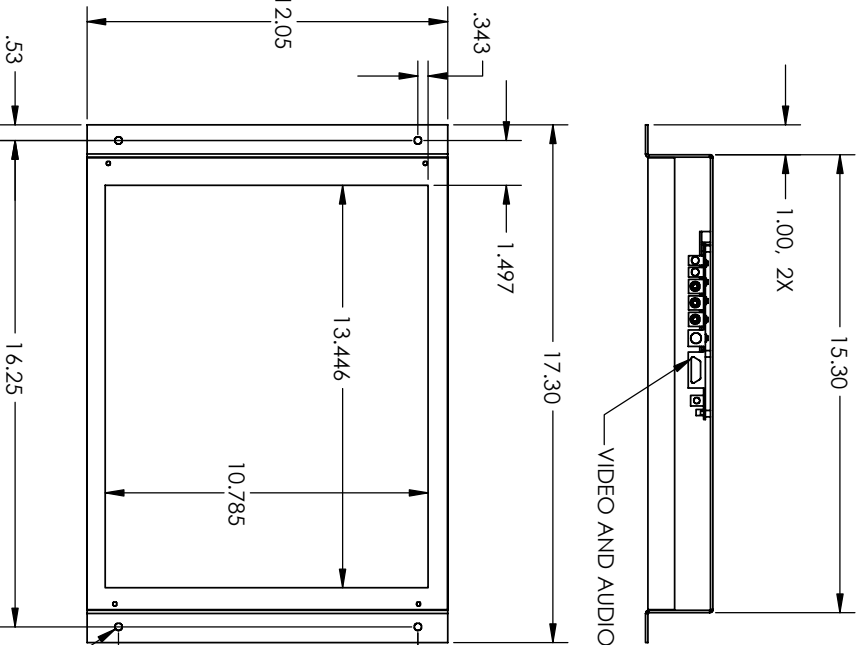


REVISIONS		DATE	APPROVED
REV	DESCRIPTION		

CREATED: 3/29/02



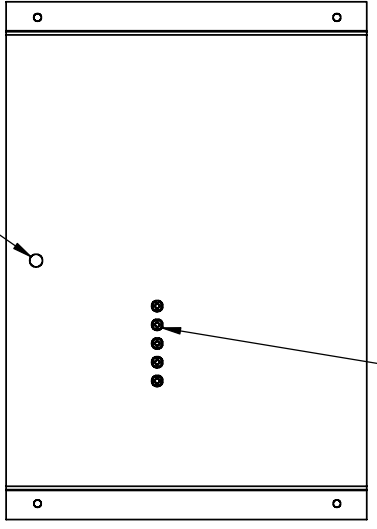
VIDEO AND AUDIO CONNECTIONS



Ø .250 THRU, 4X



INPUT POWER



OSD CONTROLS

UNLESS OTHERWISE SPECIFIED:		NAME	DATE
DIMENSIONS ARE IN INCHES	DRAWN	M. A.	3/14/06
TOLERANCES:	CHECKED:		
X ±.020	MFG APPR:		
XX ±.010	Q.A.:		
XXX ±.005			
ANGULAR: MACH 1*	MATERIAL:	NAME	
	FINISH:	NAME	
NEXT ASSY:	USED ON:		

**Recorm Group**  
 The Recorm Group  
 Ph: (909) 599-1370  
 Fax: (909) 599-2291  
 449 Borrego Court  
 San Dimas, CA 91731

**ASSEMBLY, 17" OPEN FRAME,  
 LCD ONLY**  
 SIZE: DWG. NO. **400-0121**  
 SCALE: 1:1 DO NOT SCALE DRAWING SHEET 1 OF 1

**PROHIBITARY AND CONFIDENTIAL**  
 The information contained in this drawing is the sole property of Recorm Group. Any reproduction in part or as a whole without the written permission of the Recorm Group is prohibited.